

Little GIANT[®]

Pump Company

4E-34N SERIES



Features

- Epoxy coated die-cast aluminum housing
- Oil-filled motor
- 23.1' maximum lift
- 210 watts
- 1/2" MNPT discharge
- Thermal overload protection
- For submersible use only

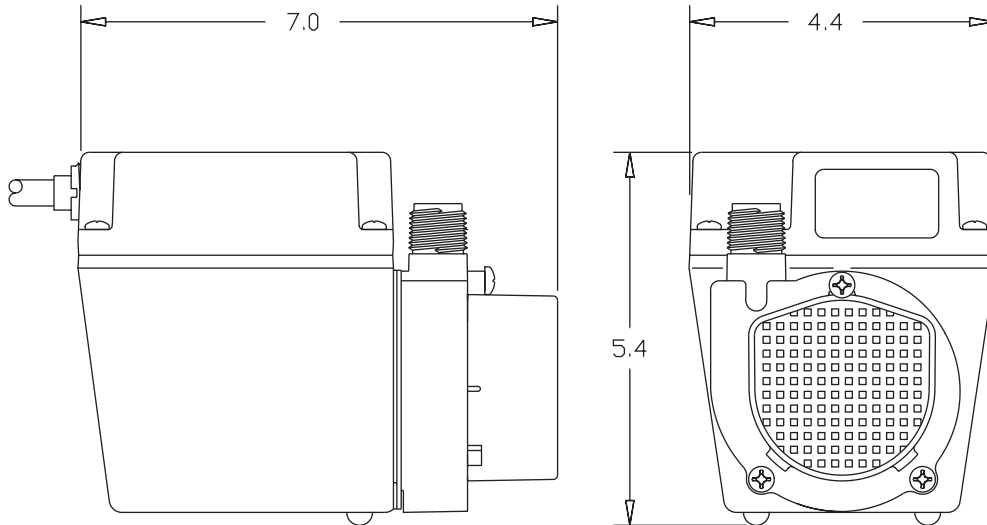
Construction

- Motor — 1/12 HP Oil Filled Heavy Duty
- Intermittent Liquid Temp — 120° F
- Intake — 3/4" FNPT
- Discharge — 1/2" MNPT
- Housing — Epoxy coated cast aluminum
- Cover — Epoxy coated cast aluminum
- Volute — Nylon
- Impeller — Nylon
- Shaft Seal — Viton[®]
- Screen — Polypropylene

Small submersible oil-filled pump with epoxy coated cast aluminum housing. For commercial, industrial and home applications including statuary fountains, water displays, air conditioners, machine tool coolants, and many other applications where liquid must be transferred or recirculated. This compact 710 GPH pump features a 1/2" MNPT discharge, 23.1' shut-off head capability, and screened inlet.

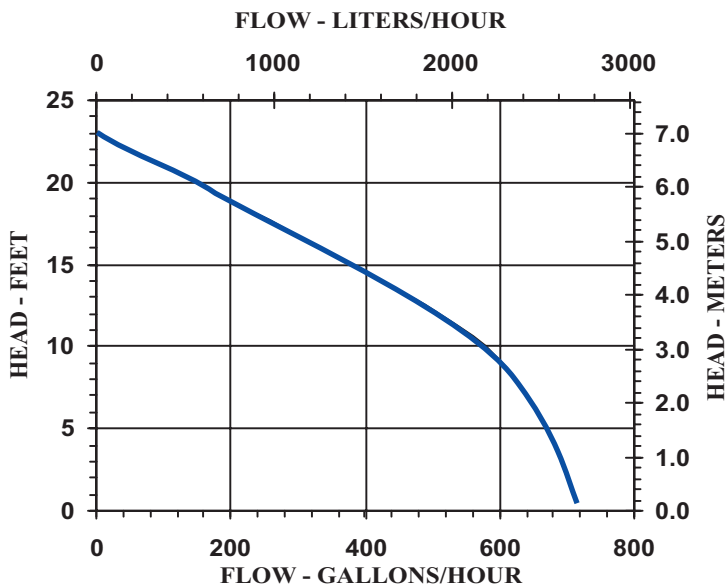
Little Giant Pump Co.

4E-34N SERIES



Specifications

Model No.	Item No.	Discharge	Intake	Listing(s)	HP	Volts	Hertz	Amps	Watts	Performance (GPH @ Head)					Shut Off		Pwr.Cord (ft)	Weight (Lbs.)
										1'	3'	5'	10'	20'	Feet	PSI		
4E-34N	504103	1/2" MNPT	3/4" FNPT	UL	1/12	115	60	3.5	210	710	690	670	580	150	23.1	10.0	6	8.50
4E-34NT	504186	1/2" MNPT	3/4" FNPT	UL/CSA	1/12	115	60	3.5	210	710	690	670	580	150	23.1	10.0	10	8.50



Replacement Parts

Volute	103334
Screen	102909
Impeller	104435
Gasket	103601

Little Giant Pump Co.
 PO Box 12010
 Okla. City, OK 73157
 Phone: 405.947.2511
 Fax: 405.228.1550
www.LittleGiantPump.com